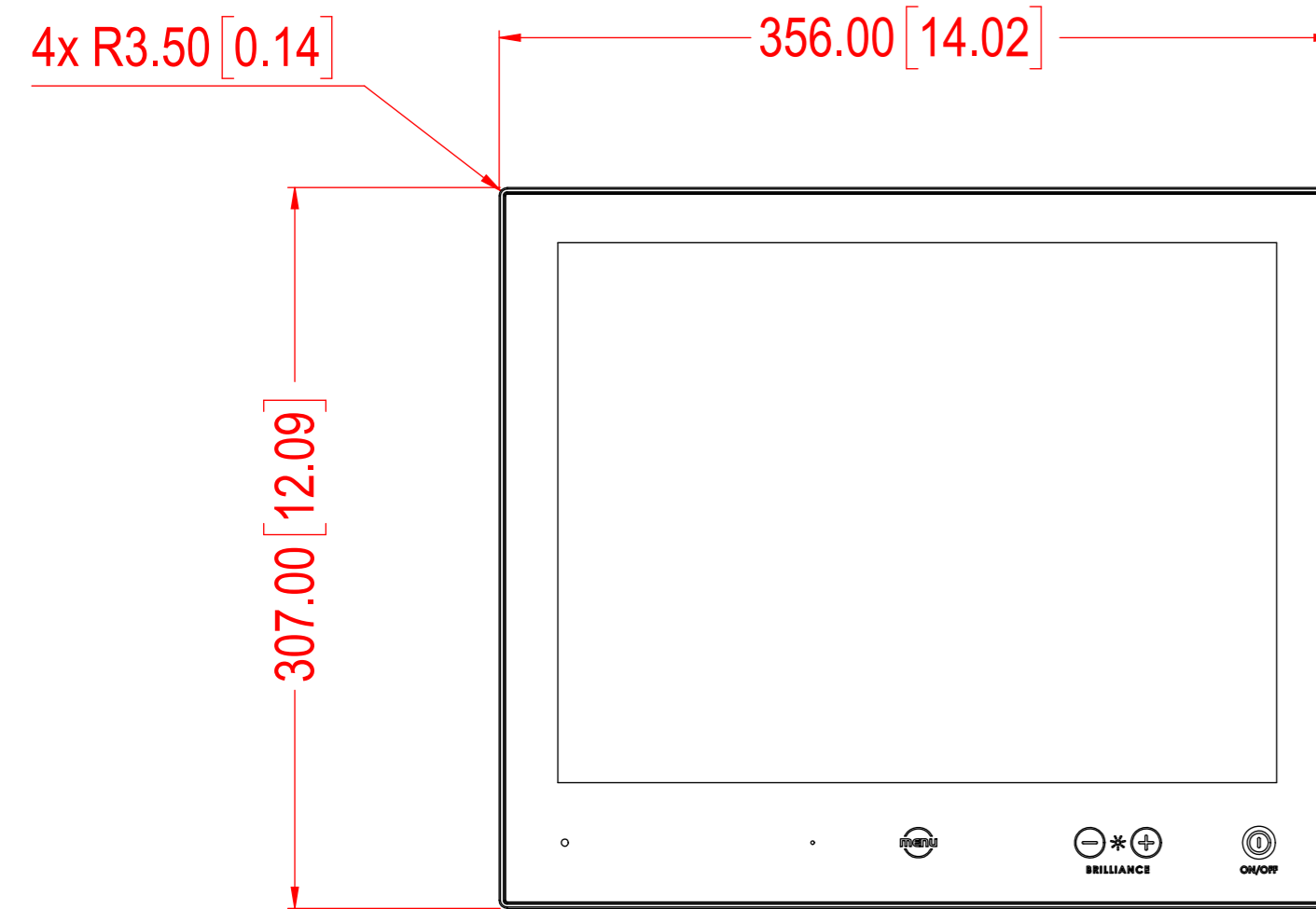
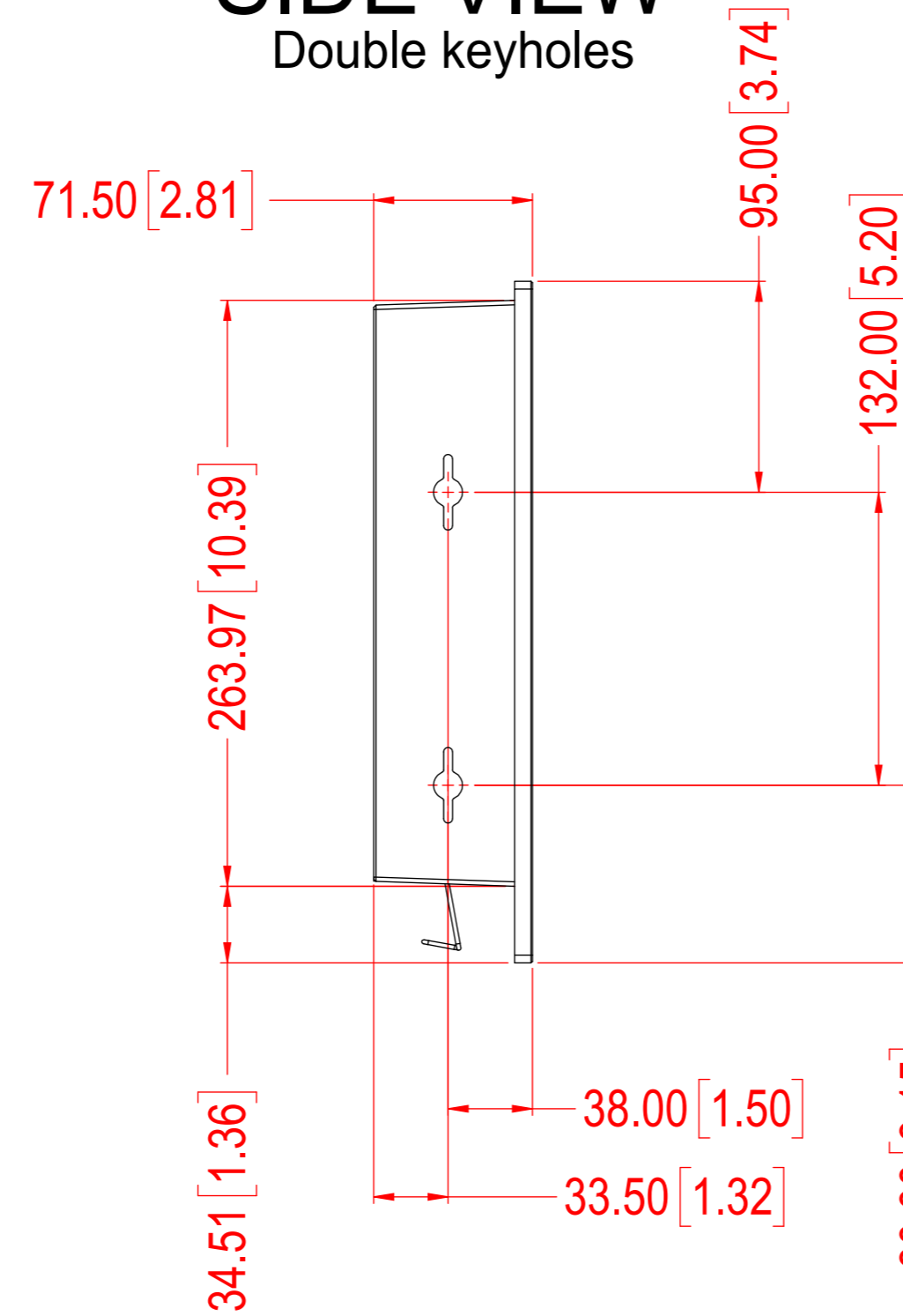


HATTELAND TECHNOLOGY STANDARD		Created by	Date	Modified by	Date	Revision
Material type and Quality:		Surface treatment:				
Aluminum 5052, standard EN 485-2 (1 & 2)		(1) TRIKATION (Zinc/Mangan Phosphating)				
Si-37 AluZn, standard EN 10215 (1)		(2) Powder coating RAL 9011 EPOXY STRUCTUR DU-POUR EPOXY-4992327				
Stainless Steel AISI 316 L, standard EN 4404		Tolerance:				
Welding specification		ISO 2768-1 middel				
NS-EN-288-4		Sheet metal fasteners:				
PSM International or equivalent (www.psminternational.com)						

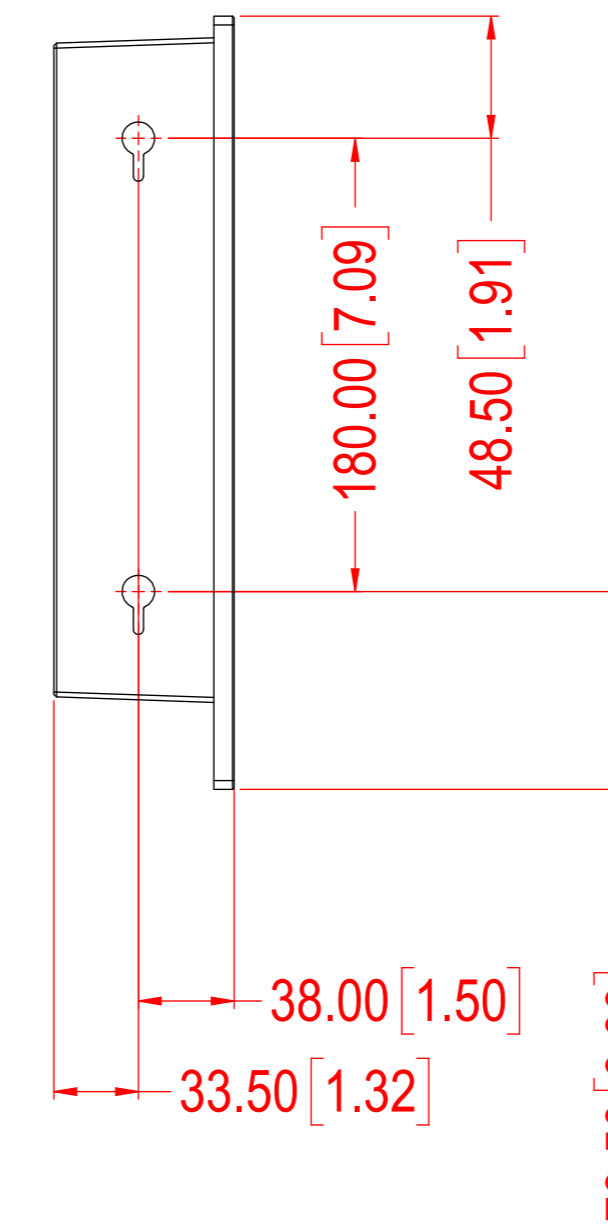
FRONT VIEW



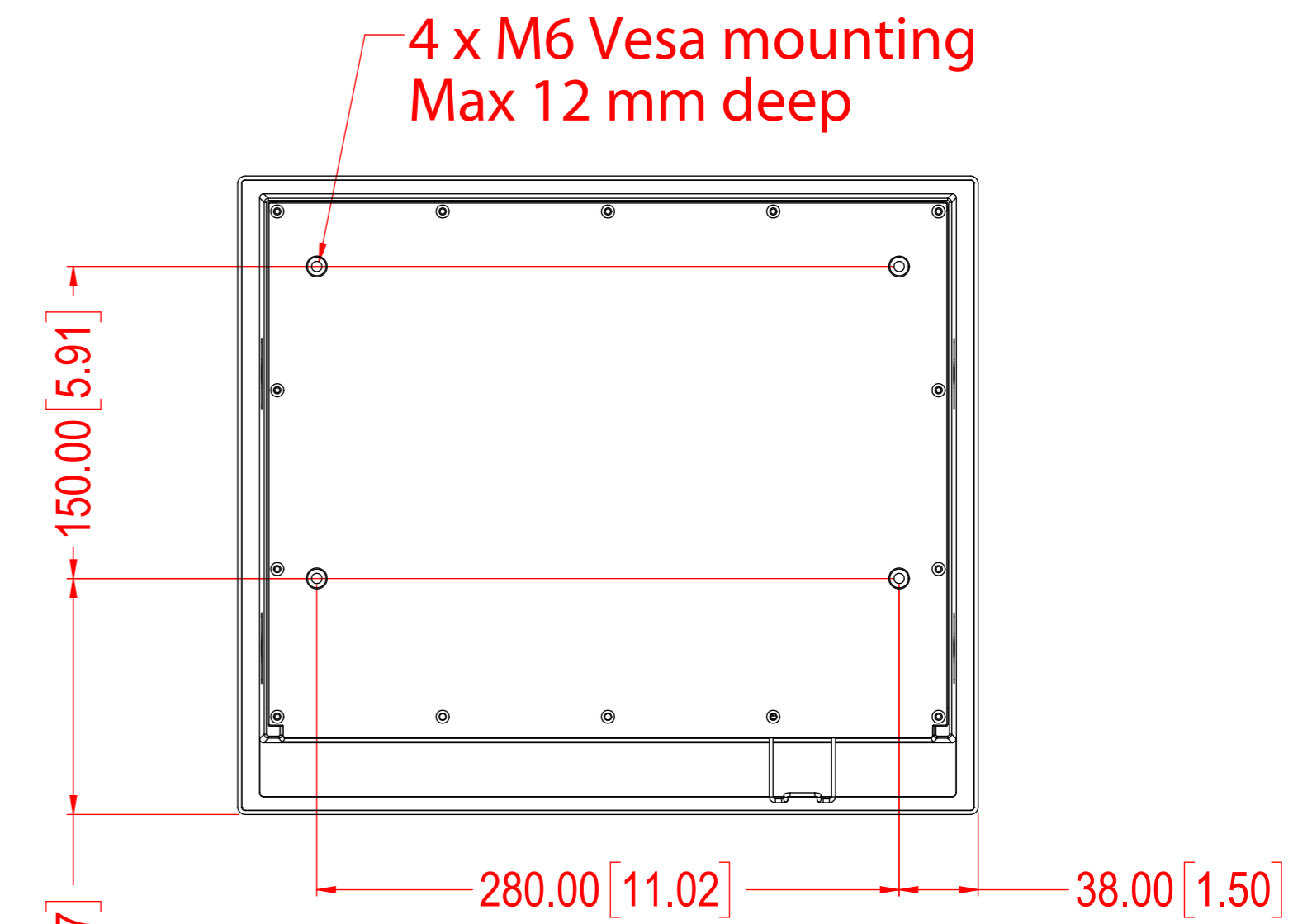
SIDE VIEW Double keyholes



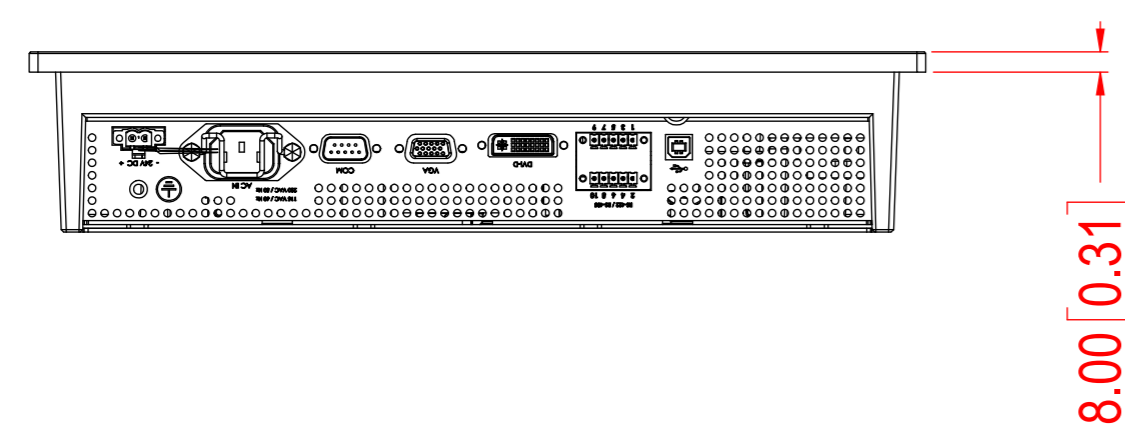
SIDE VIEW Single keyholes



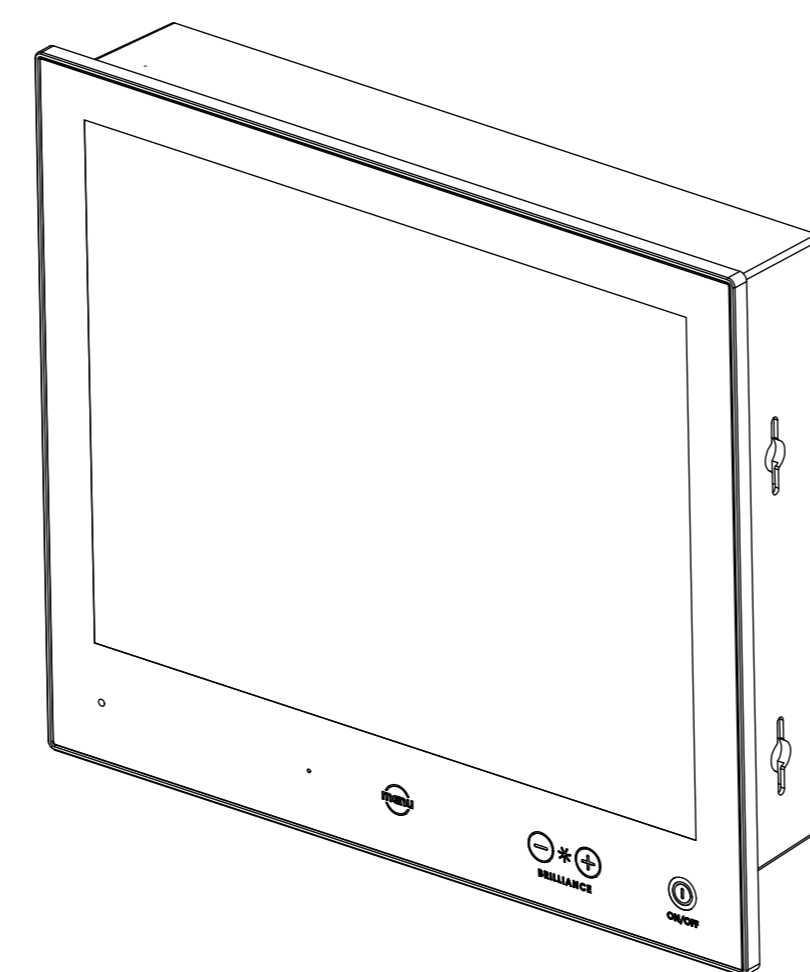
BACK VIEW



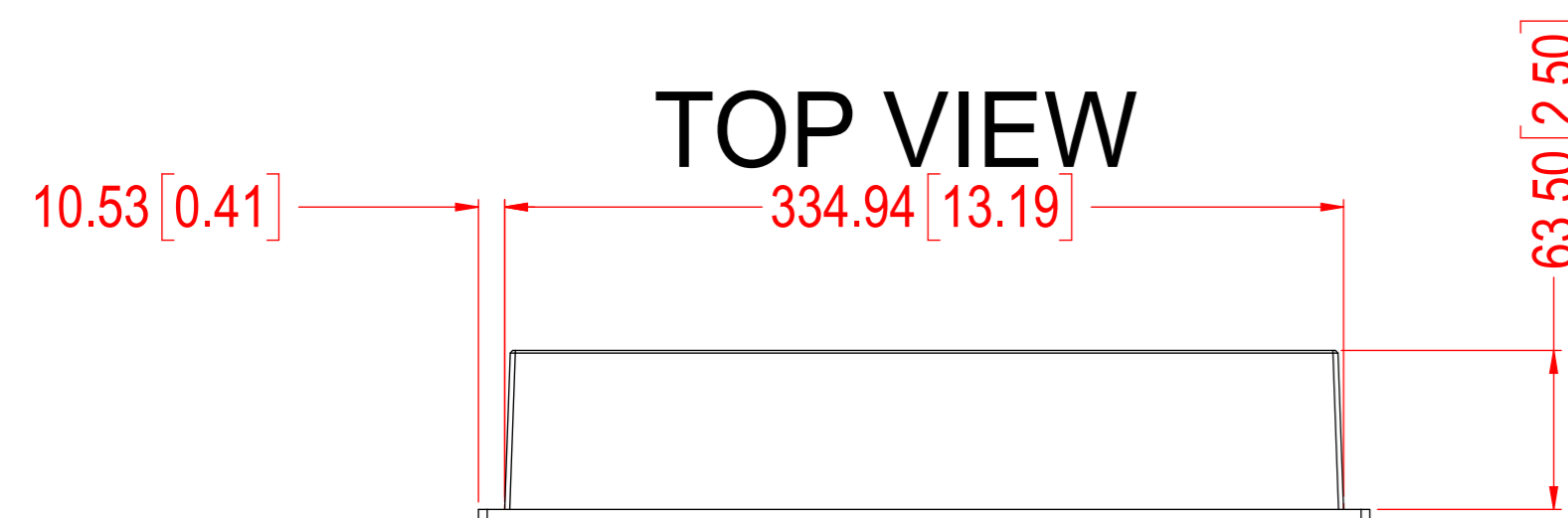
BOTTOM VIEW



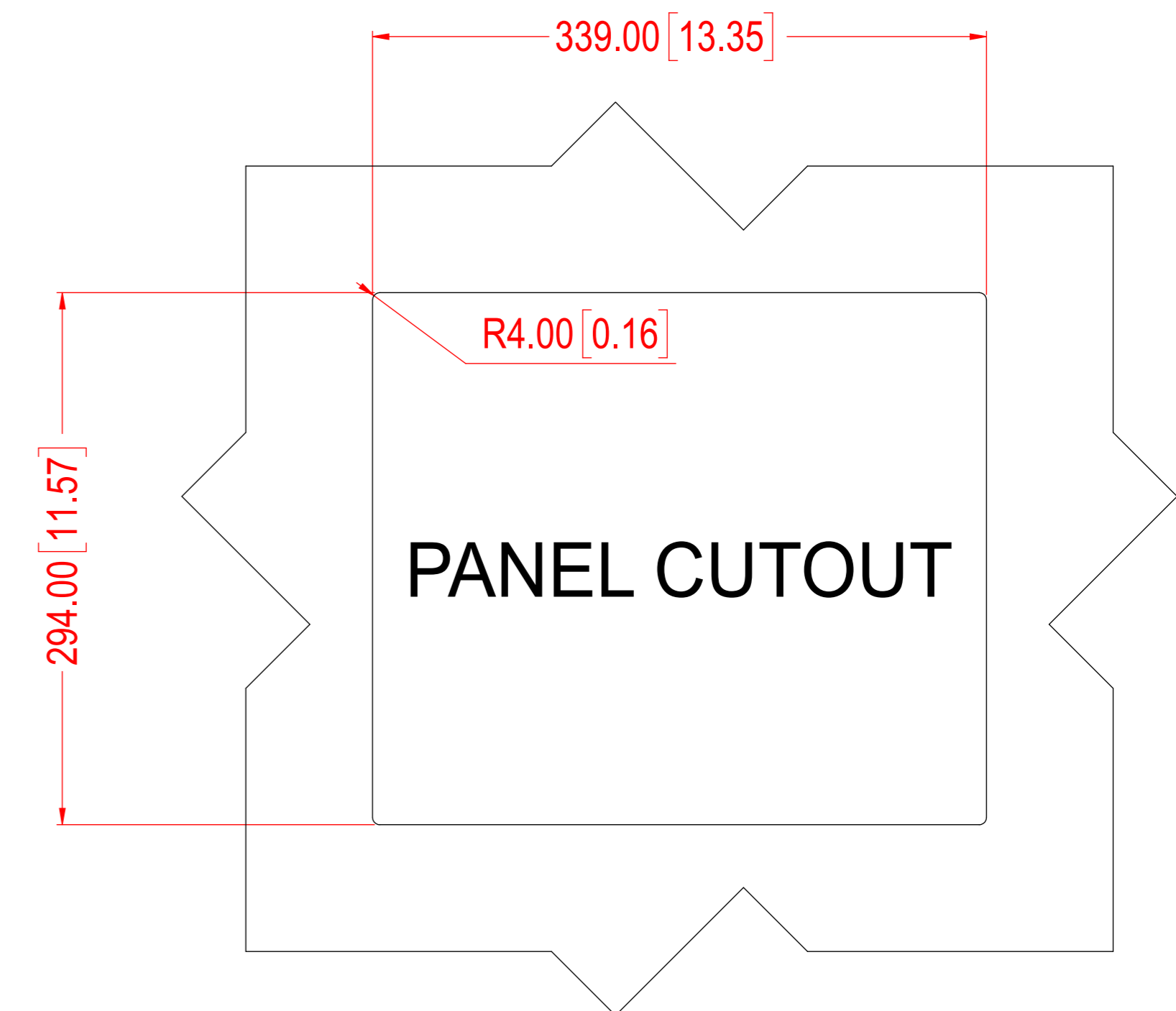
DIMETRIC VIEW



TOP VIEW



PANEL CUTOUT



Units: mm [inches]

SALES DRAWING HD 15T21 STD-MA1-FAGA
 model shown in this drawing, but measurements generally apply for all HD 15T21 STD-xxx-Fxxx models

Date:	Mechanical Design	Projection:	Size: A1 Format	HATTELAND TECHNOLOGY an EMBRON Company ®
08-10-2011	7251		Scale: 1:3	
Hatteland Technology AS Eikeskogvegen 52 N-5570 Aksdal			Colour code:	Approved by: -- Revision: 1
			Surface treatment:	Drawing number: A002492-1